

## Model B10 – Pressure relief valve



### PRODUCT DESCRIPTION

Pressure relief valves are used on liquid storage tanks and other process vessels or systems to prevent structural damage due to excess internal pressure.

Storage tanks are pressurized when liquid is pumped in, compressing the existing vapor or when rising temperatures cause increased evaporation or expansion of existing vapor.

To prevent tank damage, vapor must be allowed into or out of the tank at specified pressure condition. The volume rate of venting depends upon the tank size, volatility of the tank contents, the pumping rates and the temperature.

### FEATURES

#### Pressure setting:

- 22mm H<sub>2</sub>O to 10,000mm H<sub>2</sub>O

#### Size:

- 2" through 12"

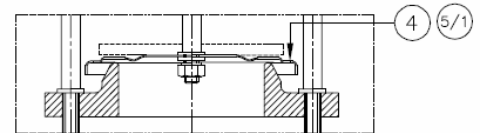
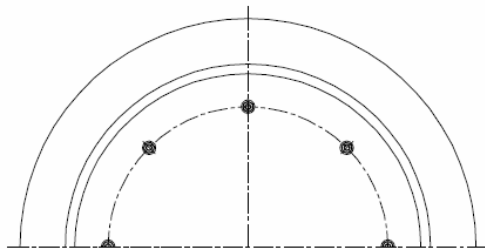
#### Available in

- Aluminum, Carbon Steel, Stainless Steel

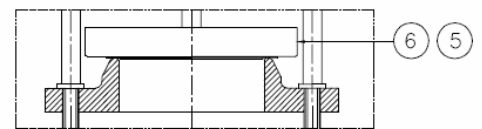
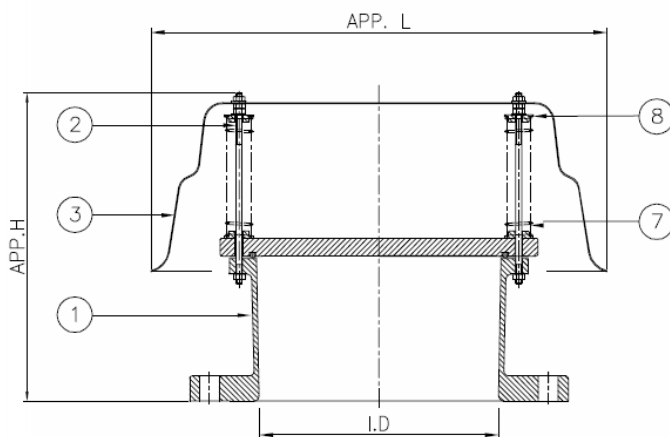
#### Other size and material to be consult by factory

**MATERIALS**

REF.	PART	MATERIAL	
		ANSI / ASTM	DIN / EN
1	Body	S. S. (AISI 304)	S. S. (1.4308)
		C.S. (A216WCB)	C.S. (1.6019)
		S.S. (AISI 316)	S. S. (1.4408)
2	Guide bar	S. S. (AISI 304)	S. S. (1.4308)
		C.S. (A216WCB)	C.S. (1.6019)
		S.S. (AISI 316)	S. S. (1.4408)
3	Hood	S. S. (AISI 304)	S. S. (1.4308)
		C.S. (A216WCB)	C.S. (1.6019)
		S.S. (AISI 316)	S. S. (1.4408)
4	Press. Disc (1)	S. S. (AISI 304)	S. S. (1.4308)
		S.S. (AISI 316)	S. S. (1.4408)
5	O-Ring	VITON	
5/1	Seal Diaphragm	TEFLON	
6	Press. Disc (2)	S. S. (AISI 304)	S. S. (1.4308)
		S.S. (AISI 316)	S. S. (1.4408)
7	Spring	S. S. (AISI 304)	S. S. (1.4308)
		S.S. (AISI 316)	S. S. (1.4408)
8	Spring fixed pad	S. S. (AISI 304)	S. S. (1.4308)
		S.S. (AISI 316)	S. S. (1.4408)
-	Other mat'l (B/N)	S. S. (AISI 304)	S. S. (1.4308)
		S.S. (AISI 316)	S. S. (1.4408)



— PRESSURE SIDE  
**TEFLON SEAL TYPE**



● PRESSURE SIDE  
**METAL SEAL TYPE**

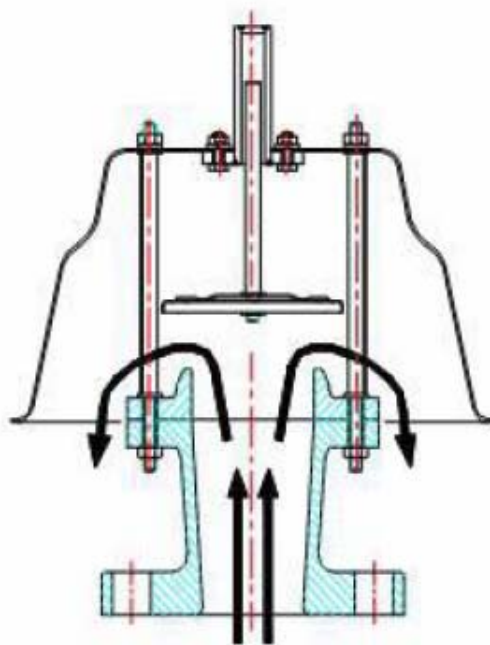
## DESIGN AND FUNCTION

Tank protection equipment typically includes an operating valve which is designed to provide pressure relief under normal pump in thermal breathing conditions.

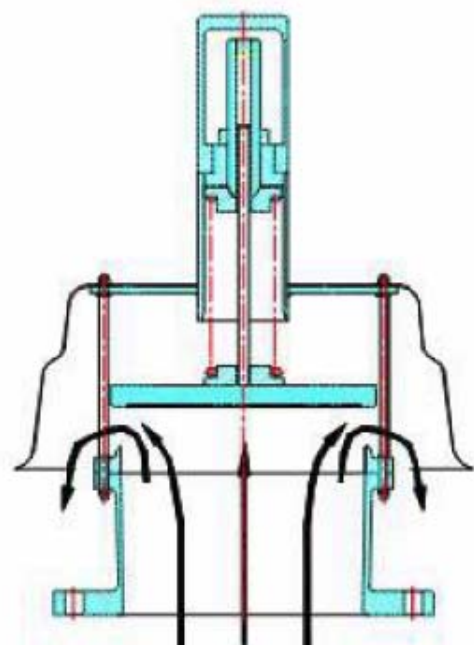
MODEL NO.	TYPE	SETTING PRESSURE RANGE
<b>B10A</b>	Weight loaded release to ATM	22-700 mmH <sub>2</sub> O
<b>B10B</b>	Spring loaded to ATM	Above 700 mmH <sub>2</sub> O

### Pressure Relief:

: As the pressure in the storage tank increases. When the set pressure is reached, the pressure pallet lifts and relieves to atmosphere (or to a header if it a pipe away valve).



**B10A**



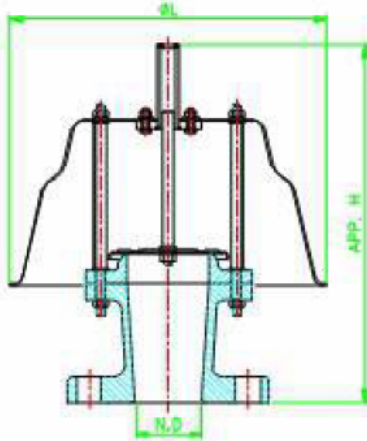
**B10B**

Model B10 of quick-opening type is designed for emergency relief of pressure above capacity that supplied by a standard operating valve used on tanks, piping and low-pressure vessels. It provides relief from excessive internal pressure that may cause tank damage.

Model B10 has self-draining housing body and drip rings to protect seating surfaces from condensation and freezing.

**DIMENSIONS**

**MODEL B10A**

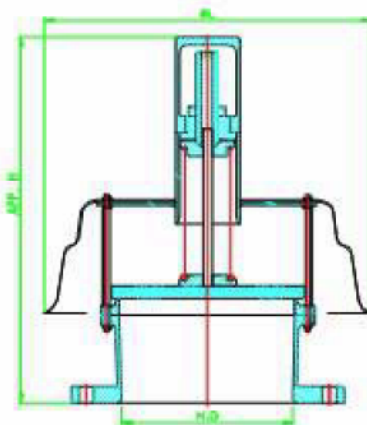


**DIMENSION TABLE**

UNIT : mm

	2"	3"	4"	6"	8"	10"	12"
<b>N.D</b>	50	80	100	150	200	250	300
<b>H</b>	275	300	342	442	490	540	532
<b>L</b>	240	270	290	400	450	532	582

**MODEL B10B**



**DIMENSION TABLE**

UNIT : mm

	2"	3"	4"	6"	8"	10"	12"
<b>N.D</b>	50	80	100	150	200	250	300
<b>H</b>	275	300	342	442	490	540	532
<b>L</b>	240	270	290	400	450	532	582

Disclaimer

The information, specifications and technical data contained in this catalogue are subject to change without notice by the manufacturer. The user should verify all technical data and specifications prior to use. EFSVALVES does not warrant that the material and information contained herein is current or correct and assumes no responsibility for the use or misuse of any such material and information by the use.